



AURELIA

Patrick Jouin, 2021

LEUCOS

Aurelia S 45, glossy warm white



AURELIA

Patrick Jouin, 2021

Collection of hand-blown glass pendants in transparent or smoke grey combined with a metal structure in hand finished vintage brass, matte gunmetal or glossy warm white.

Two shapes/dimensions and six color combinations with matching canopy.

Two integrated LED light sources (direct and indirect) with the ability to turn on/off/dim independently. Both LEDs are available in 2700K or 3000K and are user replaceable.

Smart disassembly system to remove the glass diffuser for quick and easy cleaning.

Collezione di lampade a sospensione composte da un vetro soffiato a bocca (trasparente o fumé). Struttura in metallo disponibile nelle finiture con lavorazione manuale effetto ottone vintage, canna di fucile opaco o bianco caldo lucido.

Due forme di due dimensioni e sei combinazioni vetro/struttura. Rosone coordinato in tinta con la struttura.

Due sorgenti luminose a LED integrato distinte per una luce diretta e una indiretta. Possibilità di unica o doppia accensione e dimmerazione. I LED (2700K o 3000K) possono essere facilmente sostituiti dall'utente.

Sistema di smontaggio semplificato che consente di rimuovere il diffusore in vetro per una pulizia facile e veloce.



Finish:
matte gunmetal



Finish:
vintage brass



Finish:
glossy warm white



Aurelia Bold S 22 & Aurelia S 45

Aurelia S 45, matte gunmetal



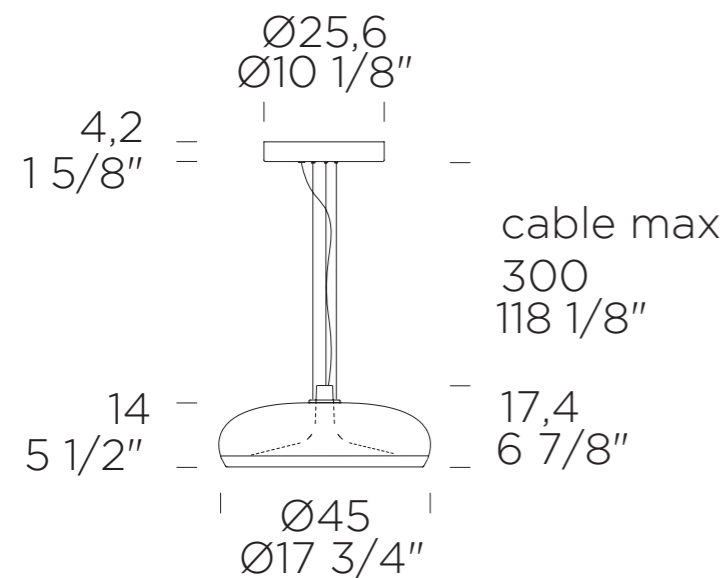
Aurelia Bold S 22, glossy warm white



Aurelia Bold S 22, vintage brass





AURELIA S 45

LED REPLACEABLE



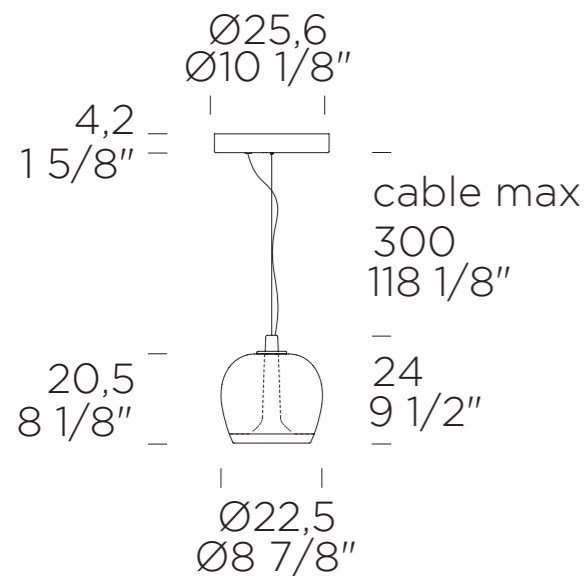
Two integrated LED light sources (direct and indirect) with the ability to turn on/off/dim independently.



TYPE	Pendant lamp
ENVIRONMENT	indoor
MATERIALS	glass diffuser and metal structure
FINISHES	transparent glass + vintage brass structure transparent glass + matte gunmetal structure transparent glass + glossy warm white structure smoke grey glass + vintage brass structure smoke grey glass + matte gunmetal structure smoke grey glass + glossy warm white structure
DIMENSIONS	Diffuser: $\text{Ø}45\text{cm}$ h14cm [$\text{Ø}17\ 3/4"$ h5 1/2"] canopy: $\text{Ø}25,5\text{cm}$ h4,2cm [$\text{Ø}10\ 1/8"$ h1 5/8"] Cable length: 300cm [118 1/8"]
LIGHT SOURCE user replaceable	Single or double switch and dimming direct light: LED 1 x 11,6W 1531lm 3000K CRI \geq 90 indirect light: LED 1 x 18W 1960lm 3000K CRI \geq 90 or direct light: LED 1 x 11,6W 1471lm 2700K CRI \geq 90 indirect light: LED 1 x 18W 1700lm 2700K CRI \geq 90
LIGHT SOURCE FOR US AND CANADA user replaceable	Single or double switch and dimming direct light: LED 1 x 11,6W 1531lm 3000K CRI \geq 90 indirect light: LED 1 x 12W 1330lm 3000K CRI \geq 90 or direct light: LED 1 x 11,6W 1471lm 2700K CRI \geq 90 indirect light: LED 1 x 12W 1300lm 2700K CRI \geq 90
CONTROL	Push-dim; 0/1-10V
ON REQUEST	Dimmer DALI (not for US and CANADA) Phase cut dimmer
MARKING	DRY LOCATION    

AURELIA BOLD S 22

LED REPLACEABLE



Two integrated LED light sources (direct and indirect) with the ability to turn on/off/dim independently.





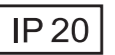

Direct light



Indirect light



Direct light +
indirect light

TYPE	Pendant lamp
ENVIRONMENT	indoor
MATERIALS	glass diffuser and metal structure
FINISHES	transparent glass + vintage brass structure transparent glass + matte gunmetal structure transparent glass + glossy warm white structure smoke grey glass + vintage brass structure smoke grey glass + matte gunmetal structure smoke grey glass + glossy warm white structure
DIMENSIONS	Diffuser: $\text{Ø}22,5\text{cm}$ h20cm [$\text{Ø}8\ 7/8$ " h7 7/8"] canopy: $\text{Ø}25,5\text{cm}$ h4,2cm [$\text{Ø}10\ 1/8$ " h1 5/8"] Cable lenght: 300cm [$118\ 1/8$ "]
LIGHT SOURCE user replaceable	Single or double switch and dimming direct light: LED 1 x 11,6W 1531lm 3000K CRI \geq 90 indirect light: LED 1 x 7,2W 784lm 3000K CRI \geq 90 or direct light: LED 1 x 11,6W 1471lm 2700K CRI \geq 90 indirect light: LED 1 x 7,2W 768lm 2700K CRI \geq 90
LIGHT SOURCE FOR US AND CANADA user replaceable	Single or double switch and dimming direct light: LED 1 x 11,6W 1531lm 3000K CRI \geq 90 indirect light: LED 1 x 7,2W 784lm 3000K CRI \geq 90 or direct light: LED 1 x 11,6W 1471lm 2700K CRI \geq 90 indirect light: LED 1 x 7,2W 768lm 2700K CRI \geq 90
CONTROL	Push-dim; 0/1-10V
ON REQUEST	Dimmer DALI (not for US and CANADA) Phase cut dimmer
MARKING	DRY LOCATION    

LEUCOS

Head Office & Showroom

Via del Commercio 22,
36060, Romano d'Ezzelino (VI)

T +39 041 5741111
info.it@leucos.com

LEUCOS USA Inc.
Head Office

11 Mayfield Avenue
Edison New Jersey, 08837
United States of America

T +1 732 225-0010
info.us@leucos.com

